

LED
TECHNOLOGY

12 Watt, 12V DC Solar Powered

Applications:

Ideal For Driveways, Garages, Patios, Warehouses, Walkways, Parking Lots, and Recreational areas.

ADJUSTABLE LIGHT COLOR

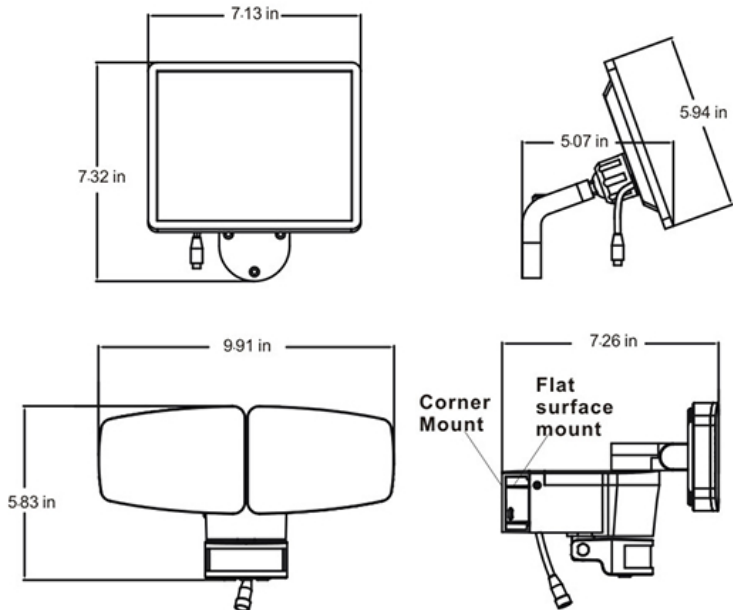


Features:

- Adjustable 3CCT 3000K, 4000K, 6500K
- Multiple Modes:
Mode 1: On Upon Motion Detection.
Mode 2: Dim Night Light always on, to Full Light upon Motion
- 1200 Lumen on Full Light.
- 60 Lumen on Night Light Function.
- Solar Powered No Wiring needed.
- Can be Mounted on a flat surface or a corner
- Time Adjustable 10-60 Seconds
- Integrated Dusk to Dawn Photocell.
- 160° Motion Detection up to 32 feet out.
- Solar Panel Can be Mounted Remotely, Includes 10 Ft Long Extension Wire

Specification:

Input Battery Operated:	12V DC
Input Power	12W
LED Life (Rated)	25,000hrs
Minimum Starting Temp	-20°C/-4°F
Maximum Operating Temp	40°C/104°F
Adjustable CCT	3000K/4000K/6500K
CRI	≥80
Lumens High	1200
Lumens Night Light	60
Battery Li-ion	4400 mA
Panel Monocrystalline	600 mA



Optional Corner Mount Included



60 Lumens Night Light

1200 Lumens Full Light

WARRANTY

1-YEAR

Model:#	Description	wattage	lumens
LF12FMH2SLR-BLCCT	12Watt Solar Powered LED Motion Security Light Adjustable 3CCT, Night Light Function. Black Color.	12W	1200

UPC: 74616080121-6