

LED
TECHNOLOGY

50,000 Hours Life, 45Watt, 120-277VAC

Applications:

8" Retrofit Can Kit,
Indoor And Damp Locations Use



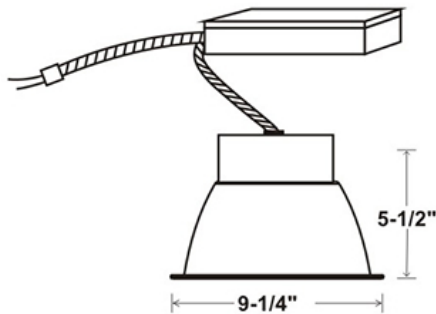
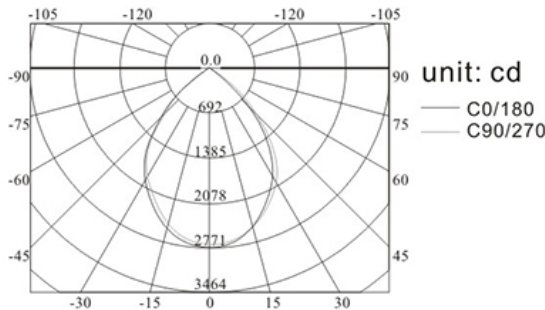
Features:

- Replace Fluorescent Or HID 8" Trims (350 Watt Equivalent)
- Instant Bright, High Power LED Bulb
- Rated Life Of 50,000 Hr
- Fits Standard 8Inch Recess Frames
- Easy Installation Press Fit & Wire



Specification:

Input Line Voltage:	120-277VAC
Input Power	45W
Input Line Frequency	60Hz
Lamp Life (Rated)	50,000hrs
Minimum Starting Temp	-20°C/-4°F
Maximum Operating Temp	40°C/104°F
CCT	4000K
CRI	≥80
Lumens	3800
Beam Angle	80°
CBCP	2766
Dimmable	Standard 0-10V Dimmer



Dist(m)	Enadir(lx)	Dh/Dv B(m)	S B(sq.m)	Eav B(lx)
1.0	2765.71	1.66/1.69	2.2	812.47
2.0	691.43	3.31/3.38	8.8	203.12
3.0	307.30	4.97/5.07	19.8	90.27
4.0	172.86	6.62/6.76	35.1	50.78
5.0	110.63	8.28/8.45	54.9	32.50
6.0	76.83	9.94/10.14	79.1	22.57
7.0	56.44	11.59/11.83	107.6	16.58
8.0	43.21	13.25/13.52	140.6	12.69
9.0	34.14	14.90/15.21	177.9	10.03
10.0	27.66	16.56/16.90	219.7	8.12

Dh Dv Beam Angle(B):H79.3 V80.4 Field Angle(F):H111.3 V111.1

WARRANTY
5-YEAR*

Model:#	Description	wattage	lumens	Socket
LC45RT8-AR/CW	8 Inch, Retrofit Can Kit, Aluminum Reflector, Cool White	45W	3800	Hard Wire

* 5 Year Limited Warranty

UPC: 793573-749789

