

LED
TECHNOLOGY

100-347VAC, Operates at 15Watt Max for 90 Minutes

Information:

The LED Lamp Emergency Backup from CYBER TECH LIGHTING is a UL Recognized LED Lamp Emergency Backup. This system allows the same LED fixture to be used for both normal and emergency operation. In the event of a power failure, the LED Lamp Emergency backup self detecting smart function switches to the emergency mode and operates the existing fixture for 90 minutes at full light output.

The unit contains a battery, charger, and special converter circuit in a single housing. The BACKUP operated units at a maximum lamp load up to 15W.

Features:

- Long life recyclable Lithium battery.
- Includes test switch and charge indicator accessory kit.
- For use with switched or unswitched fixtures
- Meets or exceeds all National Electrical Code and Life Safety Code Emergency Lighting

Important Note:

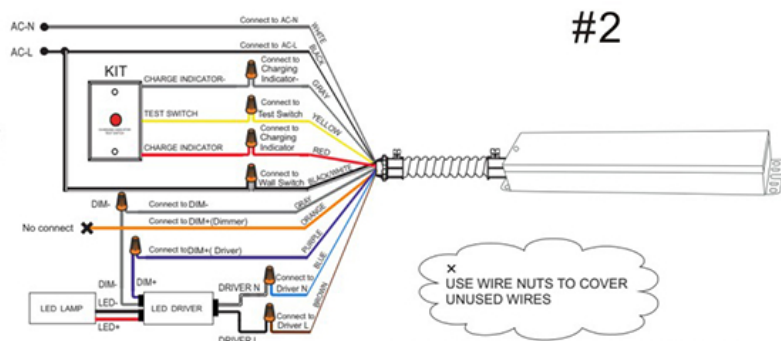
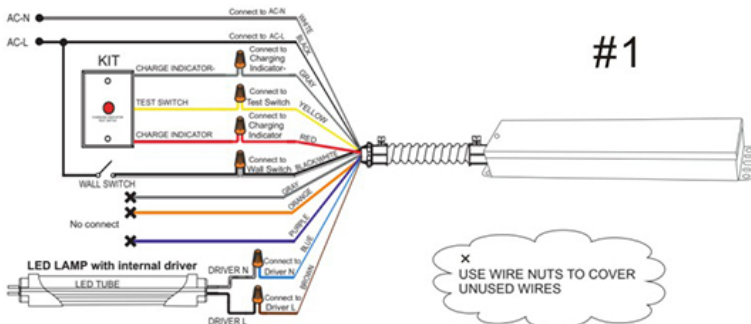
- This unit has multiple wiring options it can be used on units that have integrated driver and LED chip set where there is no access to the driver. It has an output of 170VDC so it operates the fixture wired to it at full power. A maximum 15W fixture (See Diagram #1). This back up also has an option to operate the light fixture with accessible driver, that has 0-10V dimming functions. It dims the unit to 15watts and operates it at full AC input (See Diagram #2)



For use with Fixtures that have an Integrated Driver with LED Chip, and Where Wiring to Them is Not Accessible.(Wiring Diagram #1). It Can Also Operate Units with Accessible Drivers That Have 0-10V Dimming Function.(Wiring Diagram #2)

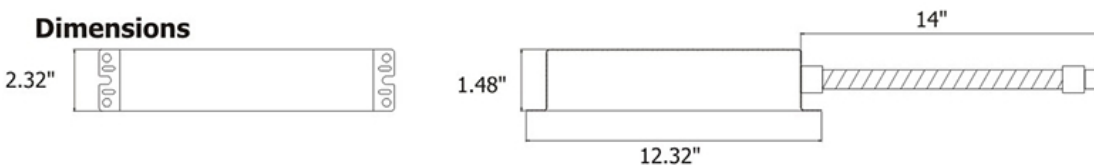
Specification:

Output Voltage	170VDC(Equivalent 120VAC), 0.105A
Emergency Operation	≥90 minutes at 15 Watt Light Output
Operating Temp	0°C to 50°C
Input Voltage	100-347 VAC, 50/60Hz, 6W Consumption
Battery	Li-ion 24 Hour Recharge
UL Listed	Can be Factory or Field Installed. Battery temperature must not exceed 50°C



Note: When using this method, Fixture maximum wattage is limited to 150 watts

Dimensions



Model:#	Item:#	Output Power	Input Voltage	Output Voltage
LC-BAT-BACKUP	Old Model:SYHU-EP18W-LB EMA15FY-170	15W	100-347VAC	170V DC (120VAC Equivalent)