

LED
TECHNOLOGY

50,000 Hours Life, 120-277VAC, 25W Max Output

Information:

The LED Lamp Emergency Backup from CYBER TECH LIGHTING is a UL Listed LED Lamp Emergency Backup. This system allows the same LED fixture to be used for both normal and emergency operation. In the event of a power failure, the LED Lamp Emergency backup self detecting smart function switches to the emergency mode and operates the existing fixture for 90 minutes. Maximum 25W output .

The unit contains a battery, emergency driver, and special converter circuit in a single housing. Plus test switch & cover plate.

Features:

- Long life high temperature recyclable LifePO4 battery.
- Includes test switch and charge indicator cover plate.
- For use with switched or unswitched fixtures
- Meets or exceeds all National Electrical Code and Life Safety Code Emergency Lighting

Important Note:

- This unit is made to connect to fixtures that have direct access to led chips, and bypasses the fixture driver.
- This unit will not work with fixtures that have integrated LED chips with the driver. This unit will only work with fixtures that have access to the driver and its wiring which connect to the LED chip set.

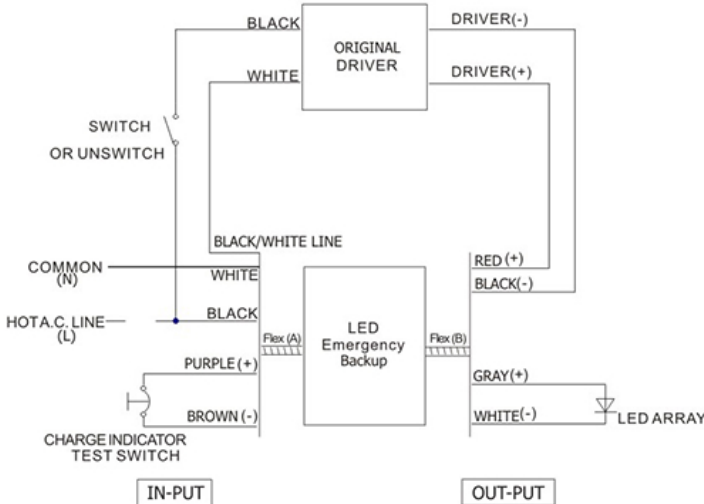


For use with Fixtures Where the Driver, LED Chip, and It's Wiring is Accessible.(See Wiring Diagram)

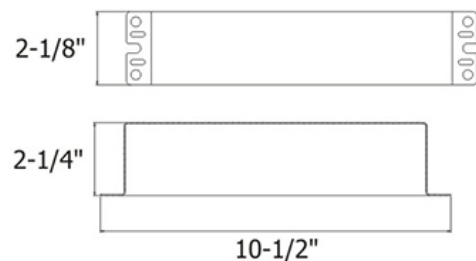
Specification:

Output Voltage	11V-56V DC
Emergency Operation	≥90 minutes
Operating Temp	0°C to 50°C
Input Voltage	100-277 VAC, 50/60Hz
Battery	High Temp 48 Hour Recharge 7-10 Year Life Expectancy
UL Listed	Can be factory wired or field installed. temperature must not exceed 50°C
Output Current	100~1050mA

To Calculate lumens of the fixture, multiply fixtures LPW x 25 = XXXX lumens



Dimensions



Model:#	Item:#	Output Power	Input Voltage Consumption	Input Voltage	Output Voltage
CL-BAT-BACKUP	EMJ-0825-010/105-J2-25W	25W	8W	100-277VAC	11V-56V DC